



MS-401AD

Description

Mircom's MS-400AD Series are single action alarm manual stations. Each manual station, on command from the panel, returns data representing the status of the unit. The addressable manual station has a pair of rotary decimal switches which allows for two digit address setting. Pulling the handle initiates the operation of the addressable module. Resetting is accomplished by inserting a 1/8" screwdriver from the front. The handle, once pulled will remain open and cannot be reset without utilizing the screwdriver.

The MS-400AD Manual stations are constructed of durable aluminium and finished in red. An abrasion resistant label with large, raised letters provides clear legible instructions. The model MS-402AD (two stage) is similar to the MS- 401AD (single stage) except it contains an additional General Alarm (G.A.) N.O. switch. For safety reasons, the G.A. switch is only accessible after the handle has been pulled. A special key is supplied with each unit.

The model MS-405AD is similar to the MS-401AD except it has an additional N.O. switch. The model MS-407AD is similar to the MS- 401AD except it has an additional N.C. switch. All manual stations can be easily converted from single action to double action station by the addition of the MS-DA double action lever.

Features

- Durable Extruded Aluminium Construction
- Attractive, Low Profile Design
- Standard Single Gang Mount
- Converts to Double Action
- Glass Rod Optional
- Permanently Attached Intelligent Addressable Module

Operation

Pulling on the station's handle will release the internal switch to trigger the intelligent addressable module. The MS-402AD (two stage version) also provides a key switch which is accessible after the handle has been pulled. Operation of the key switch, when connected to a separate general alarm circuit, will initiate the 2nd stage of a two stage alarm signalling system.

Engineer Specifications

The single action manual station shall be Mircom's MS-400AD Series. Operating instructions shall be in raised English lettering (and French Lettering for Canadian models) and the unit shall be constructed of extruded aluminium, finished in red enamel paint to provide quick identification. Pulling the handle shall initiate immediate operation of the intelligent addressable module. In addition, those stations installed in a two stage system shall come equipped with an internal key switch designed to operate the 2nd stage alarm initiating circuit. All manual fire alarm stations shall be installed as per the specific requirements outlined in the UL or ULC codes, as well as all other applicable national or local codes.

Specifications

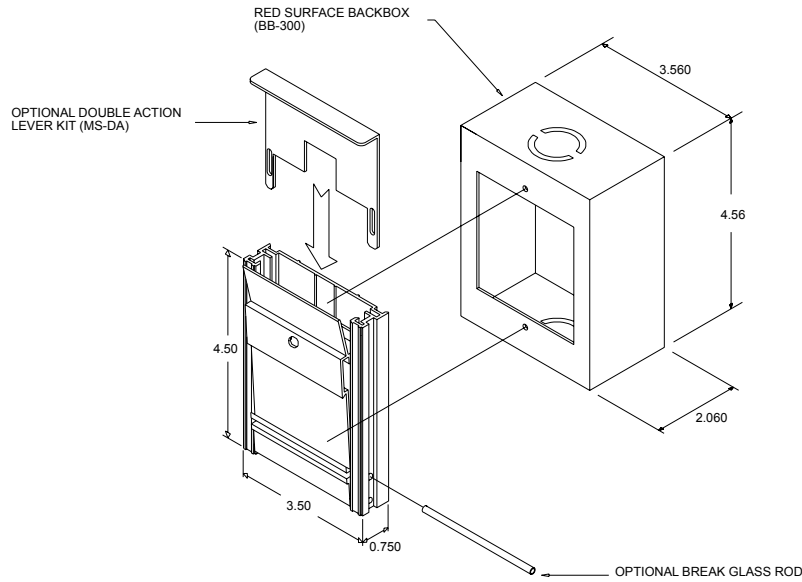
Dimensions:	4.5"H x 3.5"W x 0.75"D
Switch Rating:	1 Amp @ 30 VDC 0.1 Amp @ 120 VAC



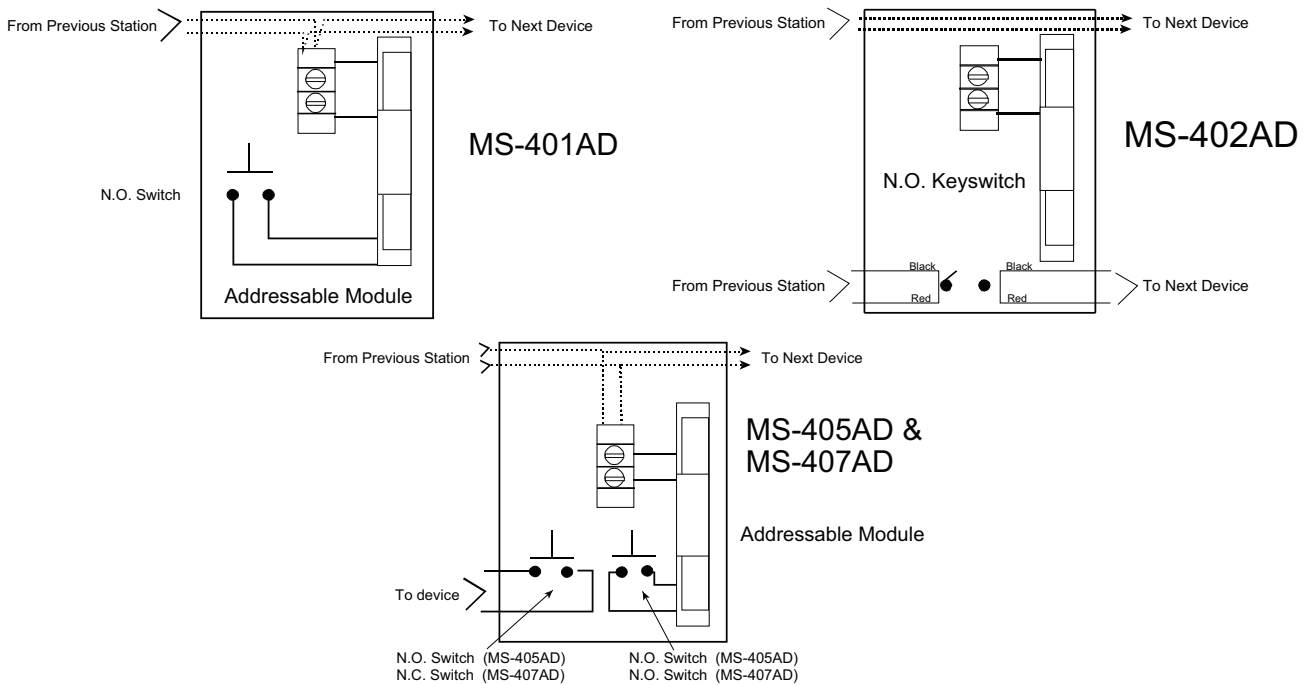
S7005

S7005

Dimensions



Wiring Diagram



Ordering Information

Model	Description
MS-401AD	Intelligent Addressable Single Stage Manual Station
MS-402AD	Intelligent Addressable Dual Stage Manual Station
MS-405AD	Intelligent Addressable Single Stage Manual Station with additional N.O. Switch
MS-407AD	Intelligent Addressable Single Stage Manual Station with additional N.C. Switch
MS-DA	Double Action Lever Kit (converts any of above to double action stations)

Note: Add suffix "U" for U.S.A. Model Manual Stations.

NOT TO BE USED FOR INSTALLATION PURPOSES.



Canada

25 Interchange Way
 Vaughan, Ontario L4K 5W3
 Telephone: (905) 660-4655
 Fax: (905) 660-4113

U.S.A.

4575 Witmer Industrial Estates
 Niagara Falls, NY 14305
 Toll Free: (888) 660-4655
 Fax Toll Free: (888) 660-4113

Web page: <http://www.mircom.com> Email: mail@mircom.com

Distributed by:

ISO 9001:2000
 REGISTERED



CAT. 5907
 Rev. 6