



Features

- 2-wire models
- Dual LEDs for 360° visibility
- Advanced detection and discrimination algorithms
- Easy installation and maintenance
- Sleek low-profile detector housing design
- Durable sensor head; no need for replacement
- Integrated heat detector on MIR-338H/MIR-338HL
- Normally Open (N.O) - Normally Closed (N.C.) selectable relay output
- Five-year limited warranty

Description

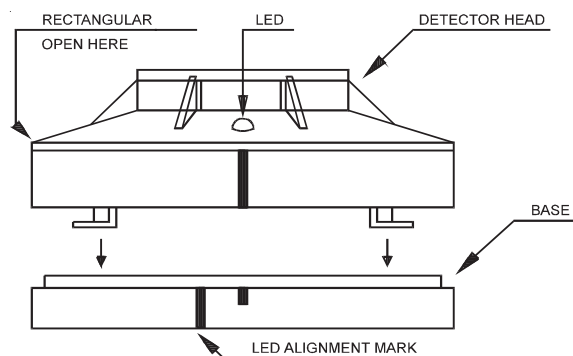
Mircom’s MIR-338 Series photoelectric smoke detectors are suitable for use in commercial, industrial, institutional and residential occupancies. The sleek low-profile design of the detectors emphasizes ease of installation and field maintenance.

The MIR-338 Series includes the following models:

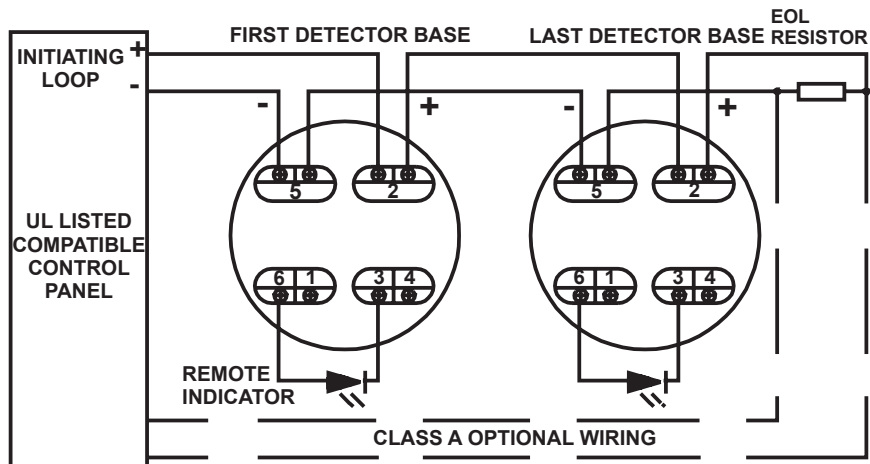
- MIR-338** Two-wire photoelectric smoke detector
- MIR-338H** Two-wire smoke detector with an integrated heat sensor
- MIR-338L** Two-wire smoke detector with a remote LED output
- MIR-338HL** Two-wire smoke detector with an integrated heat sensor and a remote LED output

All MIR-338 Series smoke detectors come equipped with a sleek low-profile design and durable sensor head. Utilizing advanced detection and discrimination algorithms, the MIR-338 Series smoke detectors provide quality and reliability.

Installation Diagram



Typical Wiring Diagram



NOTE: IF REMOTE INDICATOR IS NOT USED, POLARITY TO DETECTOR MAY BE REVERSED.

Specifications

Smoke Sensitivity	2.66±1.11%/FT Obscuration
Ceiling Spacing	50 foot rating for heat sensor
Start-Up Current	70 µA Maximun
Alarm Impedance	100 Ohm +3V max 560 Ohm +3V max (red LED open circuit)
Reset Voltage	Less than 1 volt
Reset Time	Less than 1 second
Alarm Indicator	LED continously emitting red light
Temperature Range	-10°C to 50°C
Permissible Current	80mA maximum at 13.8 volts
Humidity	0 to 95% RH, no condensation or icing
Dimensions	100mm(dia) x 46mm(ht) with base
Weight	130g/set with base

Ordering Information

Model	Heat Sensor Setting	Voltage DC (Max./Min.)	Standby Current (Max.)	Alarm Current Max/Min)	Surge Current (Max.)	Start Up Time (Max.)	Permissible Current (Max.)	Supervisory Flashing Rate
MIR-338	-	12~35V	90µA	70mA	120µA	60 Sec.	80mA	3-5 Sec.
MIR-338L	-	12~35V	90µA	70mA	120µA	60 Sec.	80mA	3-5 Sec.
MIR-338H	135°F (57°C)	12~35V	100µA	70mA	130µA	60 Sec.	80mA	3-5 Sec.
MIR-338HL	135°F (57°C)	12~35V	100µA	70mA	130µA	60 Sec.	80mA	3-5 Sec.

NOT TO BE USED FOR INSTALLATION PURPOSES.



Canada

25 Interchange Way
Vaughan, Ontario L4K 5W3
Telephone: (905) 660-4655
Fax: (905) 660-4113

U.S.A.

60 Industrial Parkway
Cheektowaga, New York 14227
Toll Free: (888) 660-4655
Fax Toll Free: (888) 660-4113

Distributed by:

Web page: <http://www.mircom.com>

Email: mail@mircom.com



CAT. 5160
Rev. 0